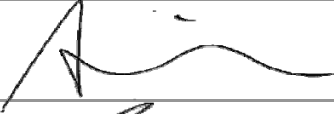




Product/Process Change Notification

PCN#	Effective Date	Issue Date
2014-05-05C-01	2014/5/5	2014/5/5
PCN Classification	Product Category	
Minor	WBFBP-02C	
Subject		
Tapping Quantity Revised		
Affected Product(s)		
Product list as attachment		
Description of Change(s)		
In order to improve Production efficiency for product		
Content of Change(s)		
Tapping Reel Quantity 5K to 10K		
Impact(s)		
N/A		
Attachment(s)		
Package Information. Specification		

Approval		
Issue by	Alice Lai	e-mail: alice@secosgmbh.com
Development Engineer		Alice Lai
QA Manager		Peter Yang
General Manger		Mathew Liu

For more information, please contact us directly or visit our website <http://www.secosgmbh.com>

Affected Product List

STESD03	STESD07	SCS70DSTN
STESD05	STESD12	DW52CXXX Series
STESD05C	STESDL05C	
STESD05CL	SCS40STN	

Exterior comparison Chart

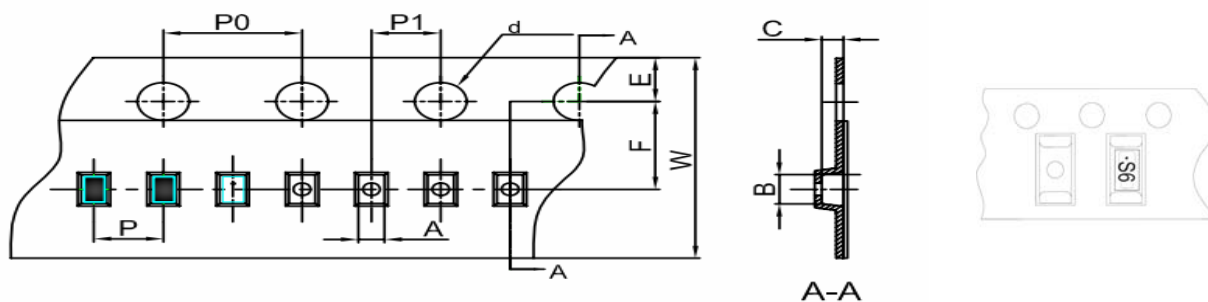
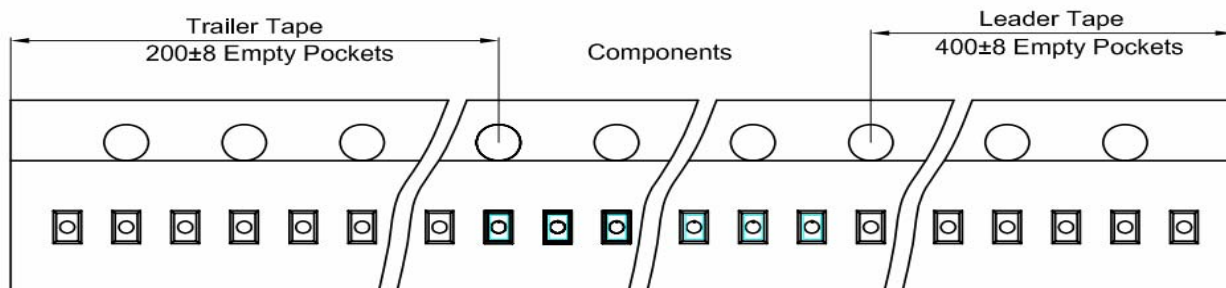
Original Reel



Modified Reel

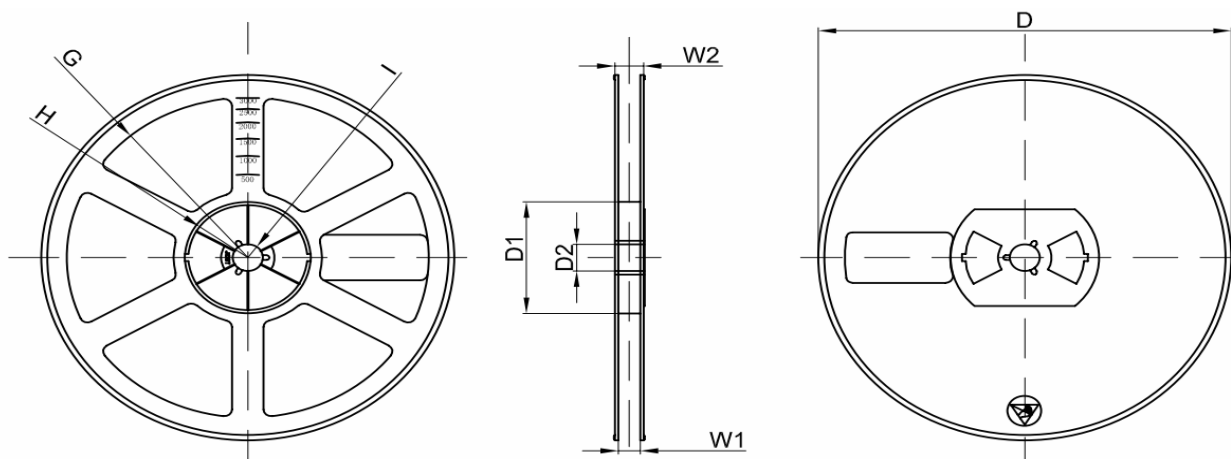


WBFBP-02C



Dimensions are in millimeter

Pkg type	A	B	C	d	E	F	P0	P	P1	W
WBFBP-02C	0.66	1.15	0.55	Ø1.50	1.75	3.50	4.00	2.00	2.00	8.00
(Tolerance)	+/-0.05	+/-0.05	+/-0.05	+/-0.1	+/-0.1	+/-0.1	+/-0.1	+/-0.1	+/-0.1	+0.3/-0.1



Dimensions are in millimeter

Reel Option	D	D1	D2	G	H	I	W1	W2
7" Dia	Ø178.00	54.40	13.00	R78.00	R25.60	R6.50	9.50	12.30
Tolerance	+/-2	+/-1	+/-1	+/-1	+/-1	+/-1	+/-1	+/-1

Reel	Reel Size	Box	Box Size (mm)	Carton	Carton Size (mm)	G.W. (kg)
10, 000 pcs	7 inch	100,000 pcs	200x190x140	800,000 pcs	300 x 420 x 410	8.2(Approximately)