

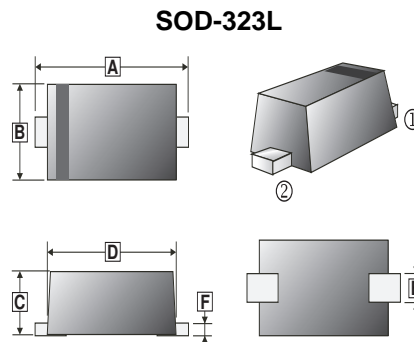
RoHS Compliant Product  
A suffix of "-C" specifies halogen & lead-free

### FEATURES

- Low  $V_F$  Schottky Barrier Diodes
- Very Low Profile - Typical Height of 1.0 mm
- Low Forward Voltage Drop
- Moisture Sensitivity: Level 1, per J-STD-020
- High Temperature Soldering Guaranteed: 260°C /10 seconds

### PACKAGE INFORMATION

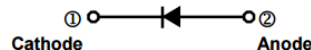
Package	MPQ	Leader Size
SOD-323L	3K	7 inch



REF.	Millimeter		REF.	Millimeter	
	Min.	Max.		Min.	Max.
A	2.40	2.80	D	2.00	2.20
B	1.40	1.60	E	0.50	0.70
C	0.90	1.08	F	0.10	0.25

### ORDER INFORMATION

Part Number	Type
SM1100V-C	Lead (Pb)-free and Halogen-free



### MAXIMUM RATINGS AND ELECTRICAL CHARACTERISTICS ( $T_A=25^\circ\text{C}$ , unless otherwise noted)

Parameter	Symbol	Ratings	Unit
Maximum Repetitive Peak Reverse Voltage	$V_{RRM}$	100	V
Maximum RMS Voltage	$V_{RMS}$	70	
Maximum DC Blocking Voltage	$V_{DC}$	100	
Maximum Average Forward Rectified Current	$I_F$	1	A
Peak Forward Surge Current @8.3ms single half sine-wave superimposed on rated load	$I_{FSM}$	30	A
Maximum Instantaneous Forward Voltage @ $I_F=1\text{A}$	$V_F$	0.8	V
Maximum DC Reverse Current @DC blocking voltage	$I_R$	20	uA
Typical Junction Capacitance @ $V_R=4\text{V}$ , $f=1\text{MHz}$	$C_J$	24	pF
Typical Thermal Resistance Junction to Mount <sup>1</sup>	$R_{\theta JM}$	60	°C/W
Operating Junction and Storage Temperature Range	$T_J, T_{STG}$	-55~150	°C

Note:

1. The thermal resistance from junction to mount, mounted on P.C.B with 5x5mm copper pads, 20Z,FR4 PCB.

**RATINGS AND CHARACTERISTIC CURVES**

Figure 1. Forward Current Derating Curve

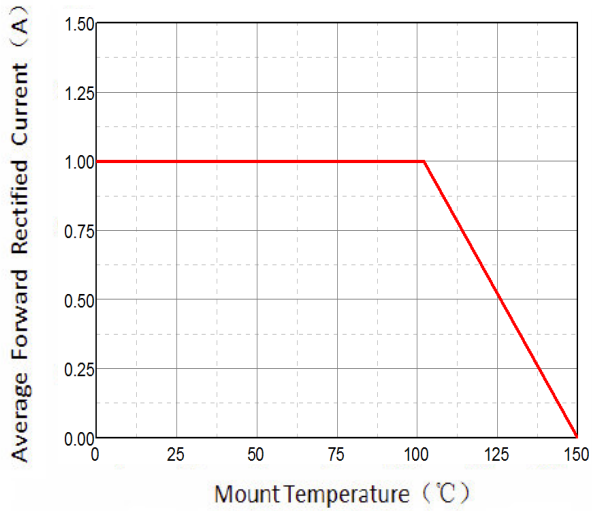


Figure 2. Typical Instantaneous Forward Characteristics

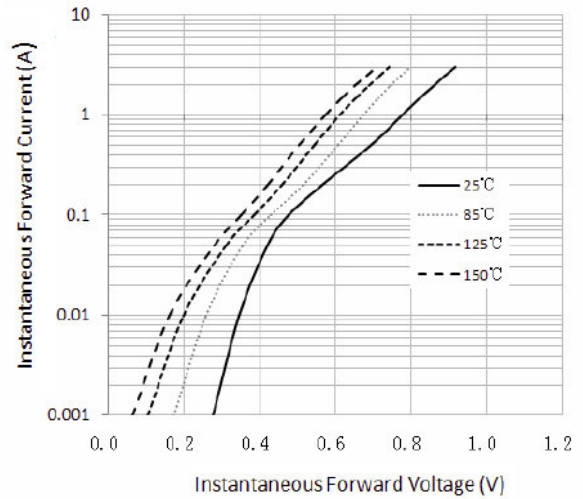


Figure 3. Typical Reverse Characteristics

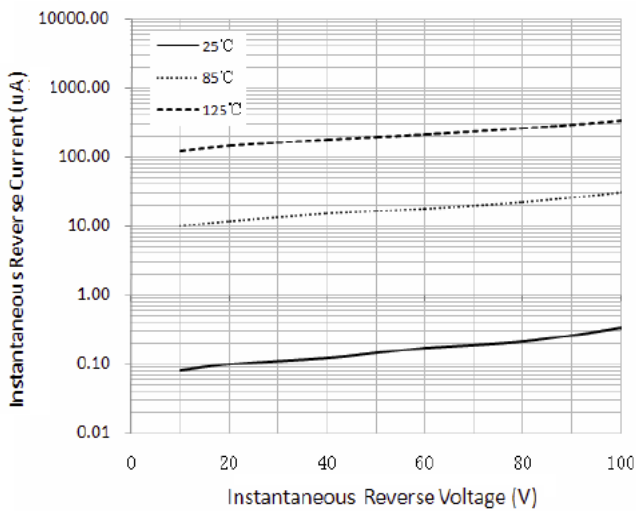


Figure 4. Typical Junction Capacitance

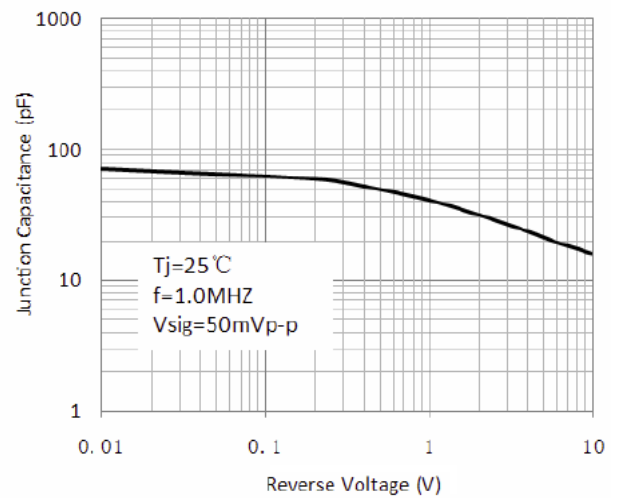


Figure 5. Maximum Non-Repetitive Peak Forward Surge Current

