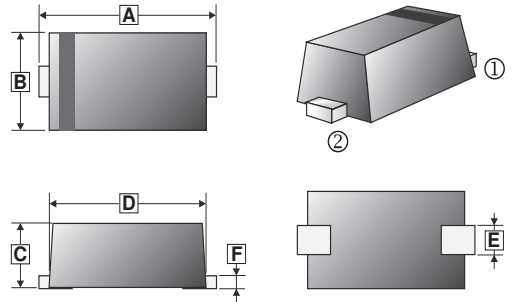


RoHS Compliant Product
A suffix of "-C" specifies halogen & lead-free

DESCRIPTION

- Fast Switching Device
- Green EMC
- Matte Tin(Sn) Lead Finish
- Band Indicates Cathode

SOD-523



MARKING

E5

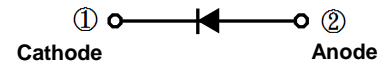
PACKAGE INFORMATION

Package	MPQ	Leader Size
SOD-523	3K	7 inch

REF.	Millimeter		REF.	Millimeter	
	Min.	Max.		Min.	Max.
A	1.50	1.70	D	1.10	1.30
B	0.70	0.90	E	0.25	0.35
C	0.50	0.77	F	0.07	0.20

ORDER INFORMATION

Part Number	Type
SCS422LS-C	Lead (Pb)-free and Halogen-free



ABSOLUTE MAXIMUM RATINGS (T_A=25°C unless otherwise specified)

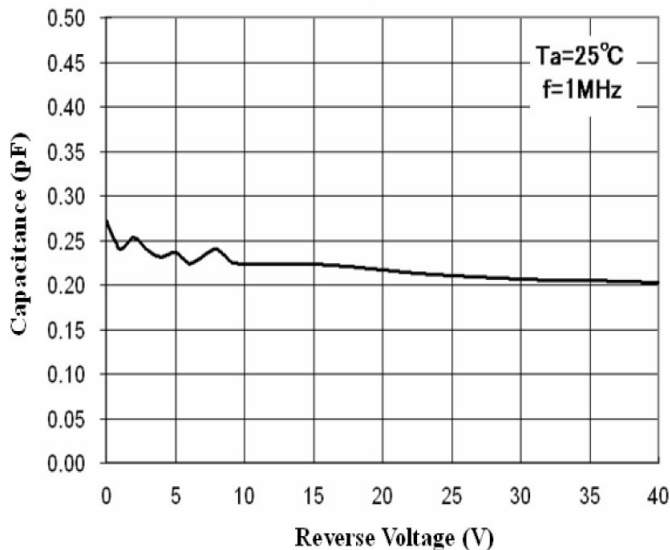
Parameter	Symbol	Rating	Unit
Repetitive Peak Reverse Voltage	V _{RRM}	100	V
Forward Current	I _F	200	mA
Peak Forward Surge Current @8.3ms Single Half Sine-Wave	I _{FSM}	500	mA
Power Dissipation	P _D	200	mW
Operating Junction and Storage Temperature Range	T _J , T _{STG}	125, -55~125	°C

ELECTRICAL CHARACTERISTICS (T_A=25°C unless otherwise specified)

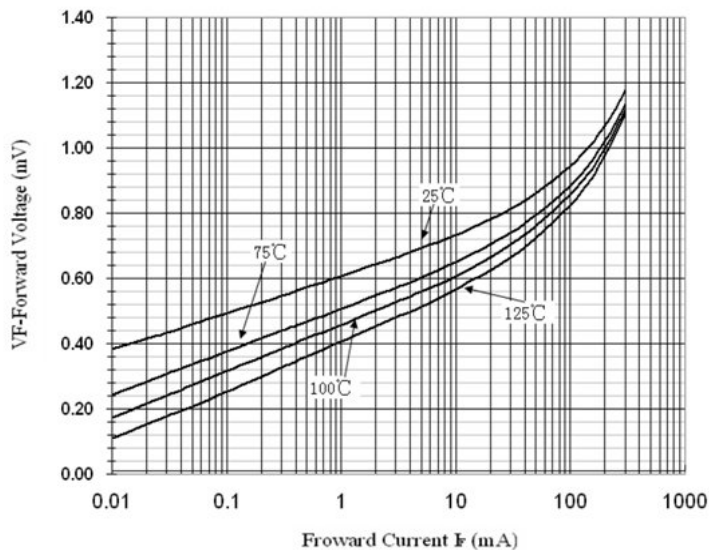
Parameter	Symbol	Min.	Typ.	Max.	Unit	Test Conditions
Forward Voltage	V _F	-	-	1.2	V	I _F =150mA
Reverse Leakage Current	I _R	-	-	100	nA	V _R =85V
Capacitance	C	-	4	-	pF	V _R =0.5V, f=1MHz
Reverse Recovery Time	T _{RR}	-	4	-	nS	I _F =10mA, V _R =6V, R _L =100Ω

RATINGS AND CHARACTERISTIC CURVES

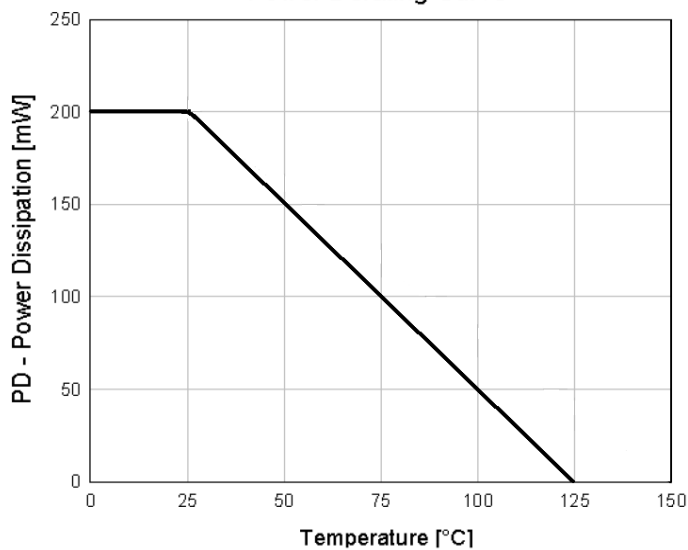
Total Capacitance



Forward Voltage vs Ambient Temperature



Power Derating Curve



Reverse Current vs Reverse Voltage

