

RoHS Compliant Product  
A suffix of "-C" specifies halogen and lead free

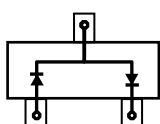
### FEATURES

- Low forward voltage:  $V_{F(3)} = 0.9V$  (typ.)
- Fast reverse recovery time :  $t_{rr} = 1.6ns$  (typ.)
- Small total capacitance:  $C_t = 0.9pF$  (typ.)

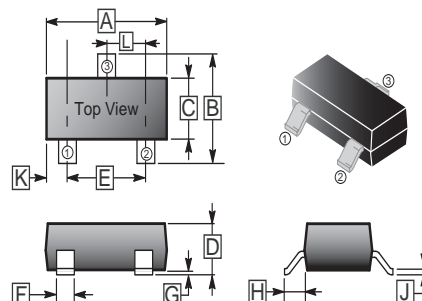
### PACKAGE INFORMATION

- Weight: 0.0078 g (approximately)

### MARKING

<b>Part Number</b>	<b>SCS226K</b>
<b>Marking</b>	<b>C3 / A7</b>
<b>Circuit</b>	

### SOT-23



REF.	Millimeter		REF.	Millimeter	
	Min.	Max.		Min.	Max.
A	2.80	3.04	G	0.09	0.18
B	2.10	2.55	H	0.45	0.60
C	1.20	1.40	J	0.08	0.177
D	0.89	1.15	K	0.6 REF.	
E	1.78	2.04	L	0.89	1.02
F	0.30	0.50			

### PACKAGE INFORMATION

Package	MPQ	Leader Size
SOT-23	3K	7 inch

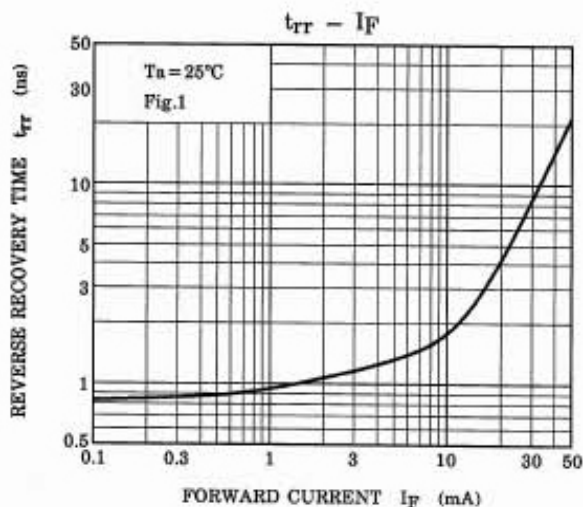
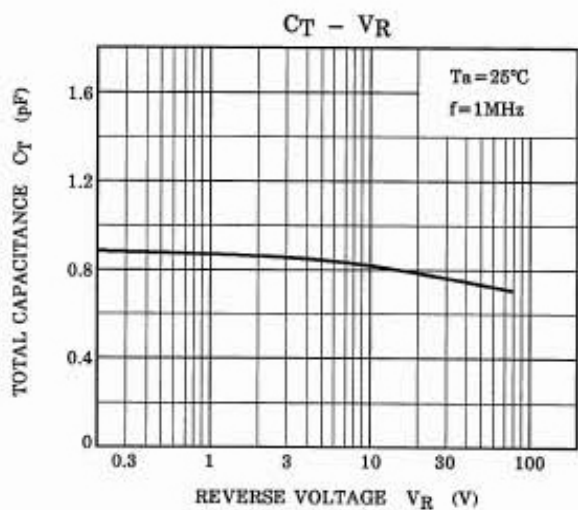
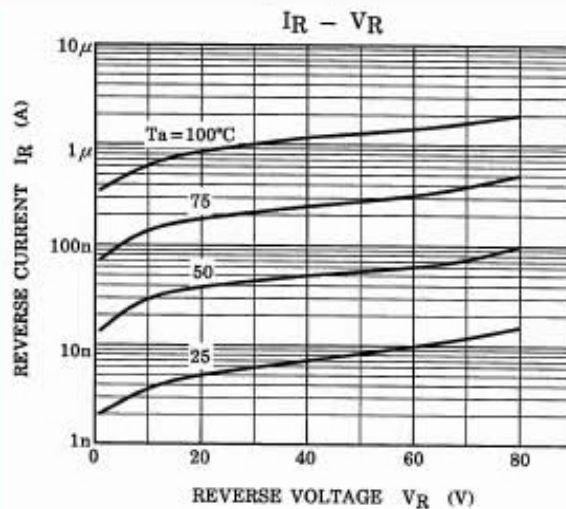
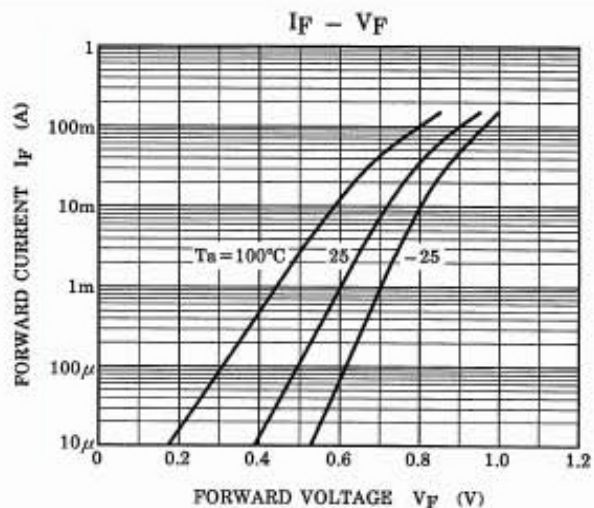
### ABSOLUTE MAXIMUM RATINGS, Single Diode ( $T_A=25^{\circ}C$ unless otherwise specified)

Parameter	Symbol	Ratings	Unit
Non-Repetitive Peak Reverse Voltage	$V_{RM}$	85	V
Repetitive Peak Reverse Voltage	$V_{RRM}$	80	V
Working Peak Reverse Voltage	$V_{RWM}$	80	V
DC Blocking Voltage	$V_R$	80	V
Forward Continuous Current	$I_{FM}$	300	mA
Average Rectified Output Current	$I_O$	100	mA
Peak Forward Surge Current@10ms	$I_{FSM}$	2	A
Power Dissipation	$P_D$	150	mW
Junction, Storage Temperature	$T_J, T_{STG}$	125, -55~125	$^{\circ}C$

### CHARACTERISTICS ( $T_A = 25^{\circ}C$ unless otherwise specified)

Parameter	Symbol	Min.	Typ.	Max.	Unit	Test Conditions
Reverse Breakdown Voltage	$V_{(BR)}$	80	-	-	V	$I_R=100\mu A$
Forward Voltage	$V_F$	-	-	1.2	V	$I_F=100mA$
Reverse Current	$I_R$	-	-	0.5	A	$V_R=80V$
Capacitance Between Terminals	$C_D$	-	-	3.0	pF	$V_R=0, f=1 MHz$
Reverse Recovery Time	$T_{RR}$	-	-	4.0	ns	$I_F=10mA$

**CHARACTERISTIC CURVES**



**Fig.1 Reverse recovery time ( $t_{rr}$ ) test circuit**

