

RoHS Compliant Product
A suffix of "-C" specifies halogen & lead-free

FEATURES

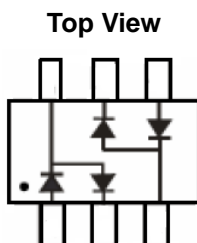
- Surface Mount Package Ideally Suited For Automatic Insertion.
- Very Low Leakage Current.

MARKING :

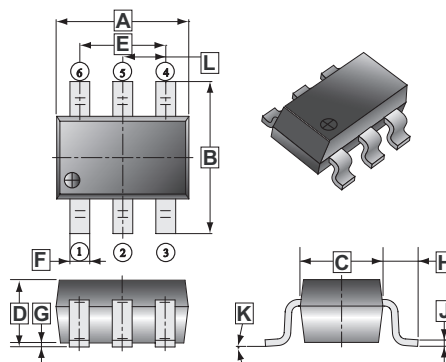
K52

PACKAGE INFORMATION

Package	MPQ	Leader Size
SOT-363	3K	7 inch



SOT-363



REF.	Millimeter		REF.	Millimeter	
	Min.	Max.		Min.	Max.
A	2.00	2.20	G	0.100 REF.	
B	2.15	2.45	H	0.525 REF.	
C	1.15	1.35	J	0.08	0.15
D	0.90	1.10	K	8°	
E	1.20	1.40	L	0.650 TYP.	
F	0.15	0.35			

ABSOLUTE MAXIMUM RATINGS (T_A=25°C unless otherwise noted)

Parameter	Symbol	Value	Unit
Peak Repetitive Reverse Voltage	V _{RRM}	85	V
DC Reverse Voltage	V _R	85	V
Forward Continuous Current	I _{FM}	160	mA
Surge Current	T=1μs	4	A
	T=10ms	1	
	T=1s	0.5	
Power Dissipation	P _D	200	mW
Junction & Storage Temperature	T _J , T _{STG}	150, -55~150	°C

ELECTRICAL CHARACTERISTICS (T_A=25°C unless otherwise noted)

Parameter	Symbol	Min.	Typ.	Max.	Unit	Test Conditions
Reverse Breakdown Voltage	V _(BR)	85	-	-	V	I _R =100μA
Reverse Voltage Leakage Current	I _R	-	-	5	nA	V _R =75V
Collector-Emitter Saturation Voltage	V _F	-	-	0.9	V	I _F =1mA
		-	-	1		I _F =10mA
		-	-	1.1		I _F =50mA
		-	-	1.25		I _F =150mA
Junction Capacitance	C _J	-	2	-	pF	V _R =0, f=1MHz
Reverse Recovery Time	T _{RR}	-	-	3	μs	I _F =I _R =10mA, I _{RR} =0.1 x I _R , R _L =100Ω