

RoHS Compliant Product
A suffix of "-C" specifies halogen & lead-free

FEATURES

- Fast Switching Speed
- Ultra-Small Surface Mount Package
- For General Purpose Switching Applications
- High Conductance

MARKING



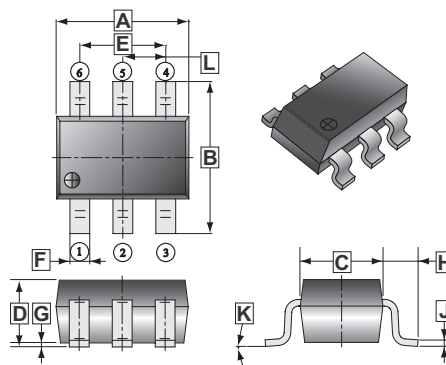
PACKAGE INFORMATION

Package	MPQ	Leader Size
SOT-363	3K	7 inch

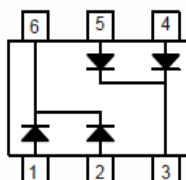
ORDER INFORMATION

Part Number	Type
BAV70DW	Lead (Pb)-free
BAV70DW-C	Lead (Pb)-free and Halogen-free

SOT-363



Top View



REF.	Millimeter		REF.	Millimeter	
	Min.	Max.		Min.	Max.
A	1.80	2.20	G	0.100	REF.
B	1.80	2.45	H	0.525	REF.
C	1.15	1.35	J	0.08	0.25
D	0.80	1.10	K	8°	
E	1.10	1.50	L	0.650 TYP.	
F	0.10	0.35			

ABSOLUTE MAXIMUM RATINGS (T_A=25°C unless otherwise noted)

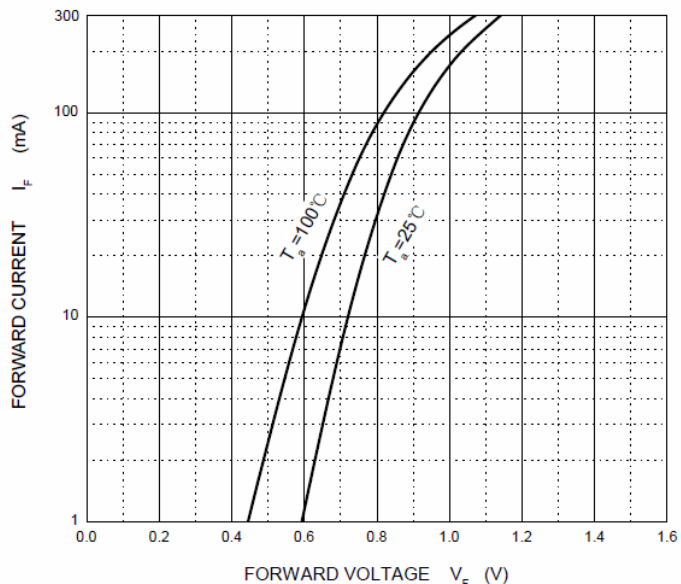
Parameter	Symbol	Ratings	Unit
Peak Repetitive Peak Reverse Voltage	V _{RRM}	100	V
Working Peak Reverse Voltage	V _{RWM}	100	V
DC Blocking Voltage	V _R	75	V
Forward Continuous Current	I _{FM}	300	mA
Average Rectified Output Current	I _O	150	mA
Non-Repetitive Peak Forward Surge Current @t=8.3ms	I _{FSM}	2	A
Power Dissipation	P _D	200	mW
Thermal Resistance From Junction-Ambient	R _{θJA}	625	°C/W
Junction & Storage Temperature	T _J , T _{STG}	150, -55~150	°C

ELECTRICAL CHARACTERISTICS (T_A=25°C unless otherwise noted)

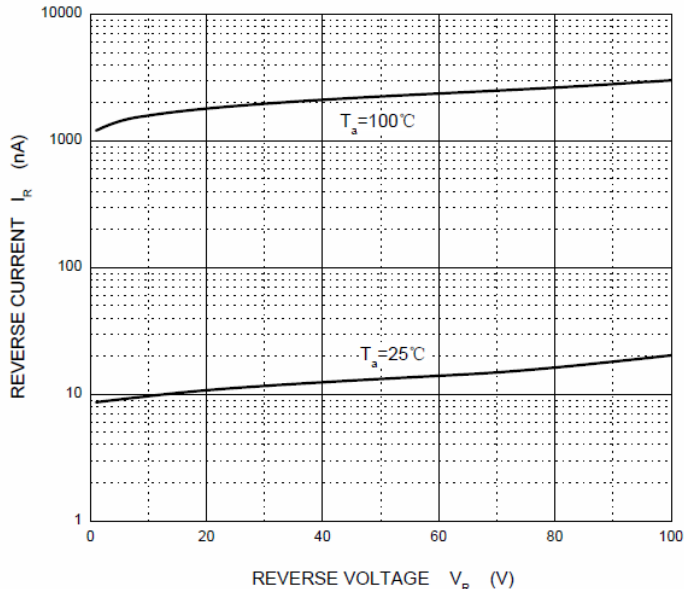
Parameter	Symbol	Min.	Typ.	Max.	Unit	Test Conditions
Reverse Voltage	V _(BR)	75	-	-	V	I _R =2.5μA
Reverse Current	I _R	-	-	2.5	μA	V _R =75V
		-	-	25	nA	V _R =20V
Forward Voltage	V _F	-	-	0.715	V	I _F =1mA
		-	-	0.855		I _F =10mA
		-	-	1		I _F =50mA
		-	-	1.25		I _F =150mA
Total Capacitance	C _{tot}	-	2	-	pF	V _R =0, f=1MHz
Reverse Recovery Time	t _{rr}	-	4	-	nS	I _F =I _R =10mA, I _{rr} =0.1xI _R , R _L =100Ω

TYPICAL CHARACTERISTICS

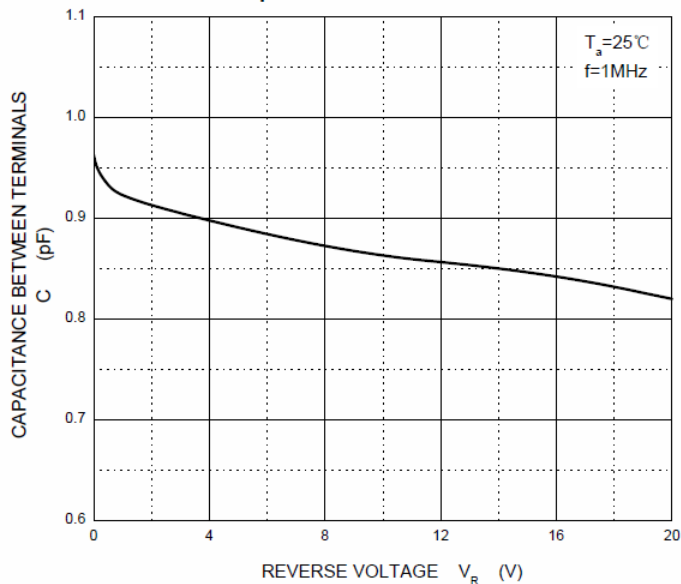
Forward Characteristics



Reverse Characteristics



Capacitance Characteristics



Power Derating Curve

