

RoHS Compliant Product
A suffix of "-C" specifies halogen & lead-free

FEATURES

- Surface Mounting Type
- High Speed
- High Reliability with High Surge Current Handling Capability

APPLICATION

- High Speed Switching for Detection
- For Portable Equipment: (i.e. Mobile Phone, MP3, MD, CD-ROM, DVD-ROM, Note Book PC, etc.)

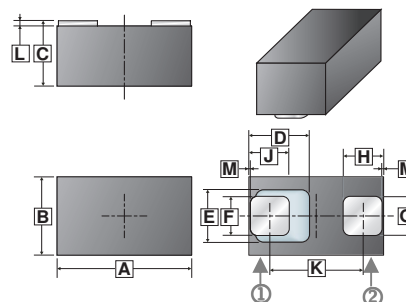
MARKING



PACKAGE INFORMATION

Package	MPQ	Leader Size
WBFBP-02C	10K	7 inch

WBFBP-02C



REF.	Millimeter		REF.	Millimeter	
	Min.	Max.		Min.	Max.
A	0.95	1.05	G	0.25	0.35
B	0.55	0.65	H	0.25	0.35
C	0.44	0.55	J	0.275	0.47
D	0.470 REF.		K	0.555	0.725
E	0.420 REF.		L	0.010	0.100
F	0.27	0.37	M	0.030 REF.	



ORDER INFORMATION

Part Number	Type
SCS400DS	Lead (Pb)-free
SCS400DS-C	Lead (Pb)-free and Halogen-free

ABSOLUTE MAXIMUM RATINGS (T_A=25°C unless otherwise specified)

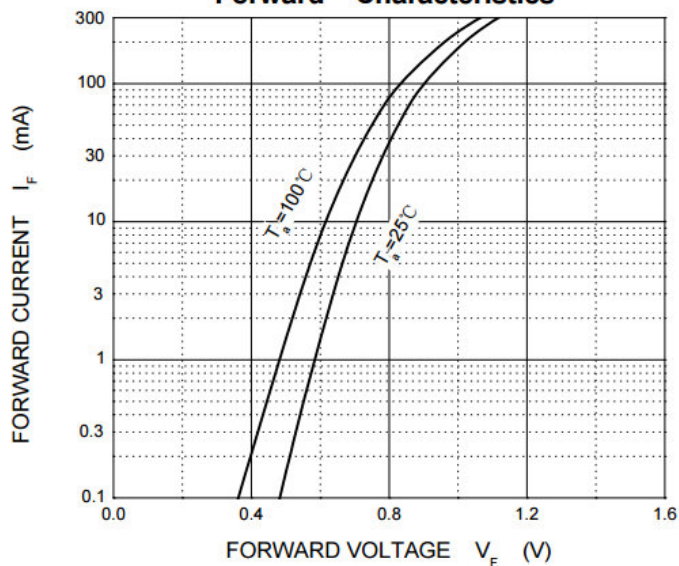
Parameter	Symbol	Ratings	Unit
Peak Reverse Voltage	V _{RM}	90	V
DC Reverse Voltage	V _R	80	V
Average Rectified Output Current	I _O	150	mA
Peak Forward Current	I _{FM}	300	mA
Non-Repetitive Peak Forward Surge Current @t=8.3ms	I _{FSM}	2	A
Power dissipation	P _D	100	mW
Thermal Resistance from Junction-Ambient	R _{θJA}	1250	°C/W
Junction & Storage Temperature	T _J , T _{STG}	150, -55~150	°C

ELECTRICAL CHARACTERISTICS (T_A=25°C unless otherwise specified)

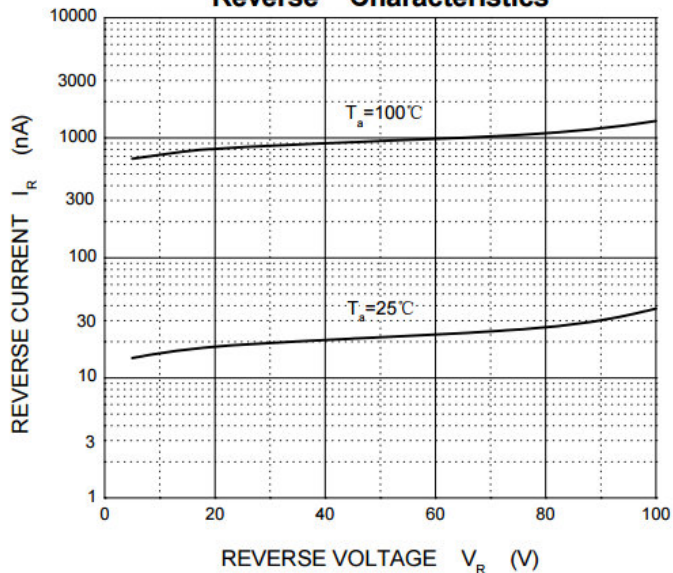
Parameter	Symbol	Min.	Typ.	Max.	Unit	Test Conditions
Forward Voltage	V _F	-	-	1.2	V	I _F =100mA
Reverse Current	I _R	-	-	0.1	μA	V _R =80V
Capacitance Between Terminals	C _T	-	3	-	pF	V _R =0.5V, f=1MHz
Reverse Recovery Time	t _{rr}	-	4	-	nS	V _R =6V, I _F =10mA, R _L =100Ω

CHARACTERISTIC CURVES

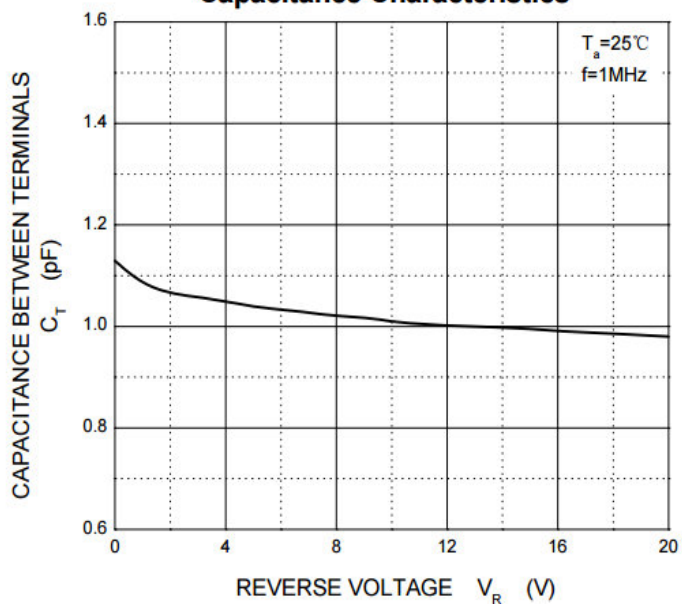
Forward Characteristics



Reverse Characteristics



Capacitance Characteristics



Power Derating Curve

