

RoHS Compliant Product
A suffix of "-C" specifies halogen & lead-free

DESCRIPTION

Planar Schottky barrier diode with an integrated guard ring for stress protection.

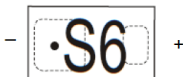
FEATURES

- Low Diode Capacitance
- Low Forward Voltage
- Guard Ring Protected
- High Breakdown Voltage

APPLICATION

- Ultra High-Speed Switching
- Voltage Clamping
- Mobile Communication, Digital (Still) Cameras, PDAs and PCMCIA Cards

MARKING



PACKAGE INFORMATION

Package	MPQ	Leader Size
WBFBP-02C	10K	7 inch

ORDER INFORMATION

Part Number	Type
SCS40STN-C	Lead (Pb)-free and Halogen-free

MAXIMUM RATINGS CHARACTERISTICS (T_A=25°C unless otherwise specified)

Parameter	Symbol	Ratings	Unit
DC Reverse Voltage	V _R	40	V
Forward Continuous Current	I _F	120	mA
Peak Forward Surge Current @tp<10ms	I _{FSM}	200	mA
Junction, Storage Temperature Range	T _J , T _{STG}	150, -55~150	°C

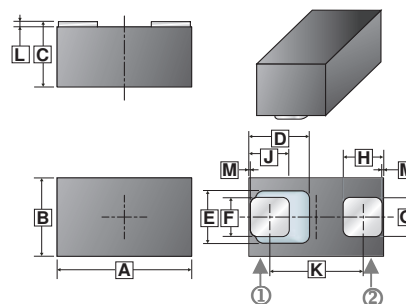
ELECTRICAL CHARACTERISTICS (T_A=25°C unless otherwise specified)

Parameters	Symbol	Min.	Typ.	Max.	Unit	Test Conditions
Forward Voltage	V _F	-	-	0.38	V	I _F =1mA
		-	-	0.5		I _F =10mA
		-	-	1		I _F =40mA
Reverse Current ¹	I _R	-	-	1	µA	V _R =30V
		-	-	10		V _R =40V
Diode capacitance	C _d	-	-	5	pF	V _R =0, f=1MHz

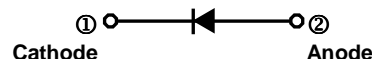
Note:

1. Pulse Test: tp=300µs; δ=0.02.

WBFBP-02C



REF.	Millimeter		REF.	Millimeter	
	Min.	Max.		Min.	Max.
A	0.95	1.05	G	0.25	0.35
B	0.55	0.65	H	0.25	0.35
C	0.44	0.55	J	0.275	0.47
D	0.470	REF.	K	0.555	0.725
E	0.420	REF.	L	0.010	0.100
F	0.27	0.37	M	0.030	REF.



CHARACTERISTIC CURVES

