

RoHS Compliant Product
A suffix of "-C" specifies halogen & lead-free

FEATURES

- Small Surface Mounting Type
- Low I_R
- High Reliability

APPLICATION

- High speed switching for detection
- For portable equipment:(i.e. Mobile phone,MP3, MD, CD-ROM, DVD-ROM, Note book PC, etc.)

MARKING



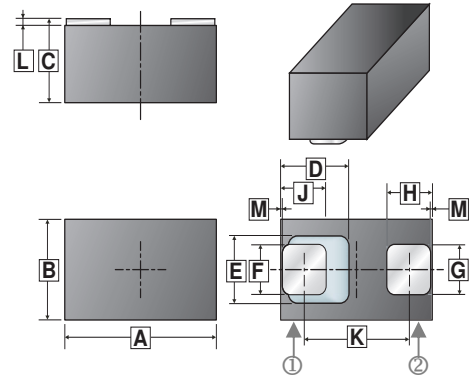
PACKAGING INFORMATION

Package	MPQ	Leader Size
WBFBP-02C	10K	7 inch

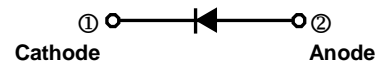
ORDER INFORMATION

Part Number	Type
SCS520DSTN-C	Lead (Pb)-free and Halogen-free

WBFBP-02C



REF.	Millimeter		REF.	Millimeter	
	Min.	Max.		Min.	Max.
A	0.95	1.05	G	0.25	0.35
B	0.55	0.65	H	0.25	0.35
C	0.44	0.55	J	0.37	0.47
D	0.470 REF.		K	0.555	0.655
E	0.420 REF.		L	0.010	0.100
F	0.27	0.37	M	0.030 REF.	



ABSOLUTE MAXIMUM RATINGS ($T_A=25^\circ\text{C}$ unless otherwise specified)

Parameter	Symbol	Ratings	Unit
Repetitive Peak Reverse Voltage	V_{RRM}	30	V
Working Peak Reverse Voltage	V_{RWM}	30	
RMS Reverse Voltage	$V_{R(RMS)}$	21	
Mean Rectifying Current	I_o	200	mA
Non-Repetitive Peak Forward Surge Current @ $t=8.3\text{ms}$	I_{FSM}	0.5	A
Power Dissipation	P_D	100	mW
Thermal Resistance, Junction-Ambient	$R_{\theta JA}$	1000	$^\circ\text{C}/\text{W}$
Junction and Storage Temperature Range	T_J, T_{STG}	125, -55~150	$^\circ\text{C}$

ELECTRICAL CHARACTERISTICS ($T_A=25^\circ\text{C}$ unless otherwise specified)

Parameter	Symbol	Min.	Typ.	Max.	Unit	Test Conditions
Reverse Breakdown Voltage	V_{BR}	30	-	-	V	$I_R=100\mu\text{A}$
Forward Voltage	V_F	-	-	0.45	V	$I_F=10\text{mA}$
Reverse Current	I_R	-	-	0.5	μA	$V_R=10\text{V}$

TYPICAL CHARACTERISTIC CURVES

