

RoHS Compliant Product

FEATURES

- Glass Passivated Chip Junction
- Thin Single in-line Package
- Ideal for Printed Circuit Boards
- High Surge Current Capability
- High Case Dielectric Strength
- Low Forward Voltage Drop
- Solder Dip

GBJ

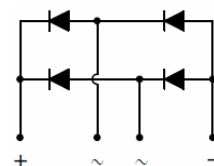


APPLICATIONS

- General Purpose use in AC/DC full Wave Rectification for Switching Power Supply
- Home Appliances, Office Equipment, Industrial Automation Applications

MECHANICAL DATA

- Molded Epoxy Body · Epoxy Meets UL 94V-0 Flammability Rating
- Terminals: Plated leads solderable per MIL-STD-750, Method 2026
- Polarity: As Marked on Body



ORDER INFORMATION

Part Number	Type
GL1506B~GL1508B	Lead (Pb)-free and Halogen-free

MAXIMUM RATINGS AND ELECTRICAL CHARACTERISTICS (T_A=25°C Unless otherwise specified)

Parameter	Symbol	Part Number		Unit
		GL1506B	GL1508B	
Maximum Recurrent Peak Reverse Voltage	V _{RRM}	600	800	V
Maximum RMS Voltage	V _{RMS}	420	560	
Maximum DC Blocking Voltage	V _{DC}	600	800	
Maximum Average Forward Rectified Output Current	I _{F(AV)}	15		A
		3.7		
Peak Forward Surge Current 8.3ms Single Sine-Wave Superimposed on Rated Load (JEDEC Method)	I _{FSM}	280		A
Maximum Instantaneous Forward Voltage Drop Per Leg @ I _F =7.5A	V _F	0.93		V
		0.85		
Maximum DC Reverse Current @ Rated DC Blocking Voltage Per Leg	I _R	5		μA
		250		
Junction and Storage Temperature Range	T _J , T _{STG}	-55~150		°C
Thermal Resistance Ratings				
Thermal Resistance from Junction-Ambient ²	R _{θJA}	20		°C/W
Thermal Resistance from Junction-Case ¹	R _{θJC}	1.5		°C/W

Notes:

1. Unit case mounted with heatsink.
2. Unit case mounted on PCB without heatsink.

RATINGS AND CHARACTERISTIC CURVES

Fig.1-Derating Curve for Output Rectified Current

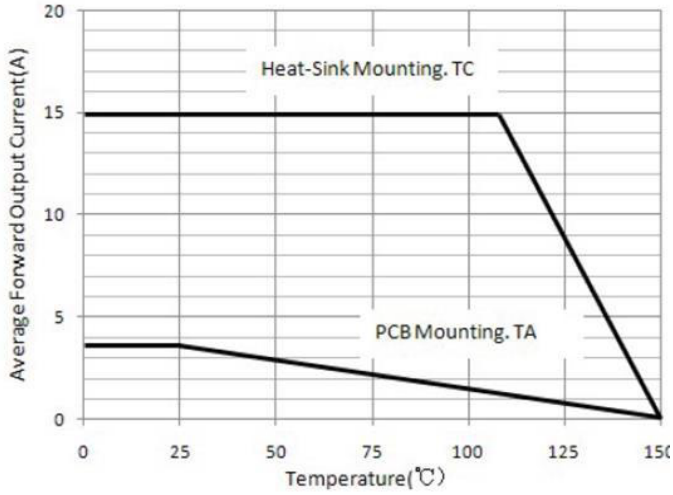


Fig.2-Maximum Non-Repetitive Peak Forward Surge Current

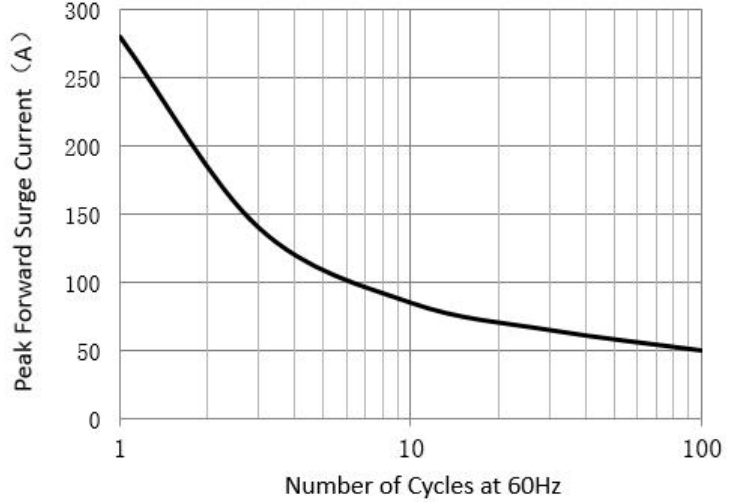


Fig.3-Typical Instantaneous Forward Characteristics

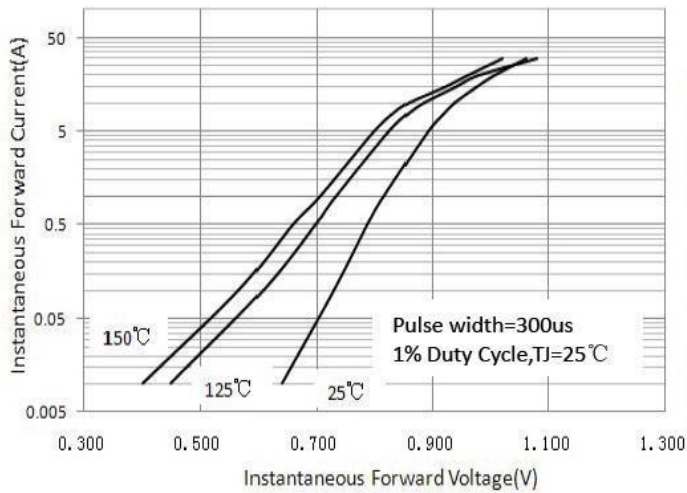
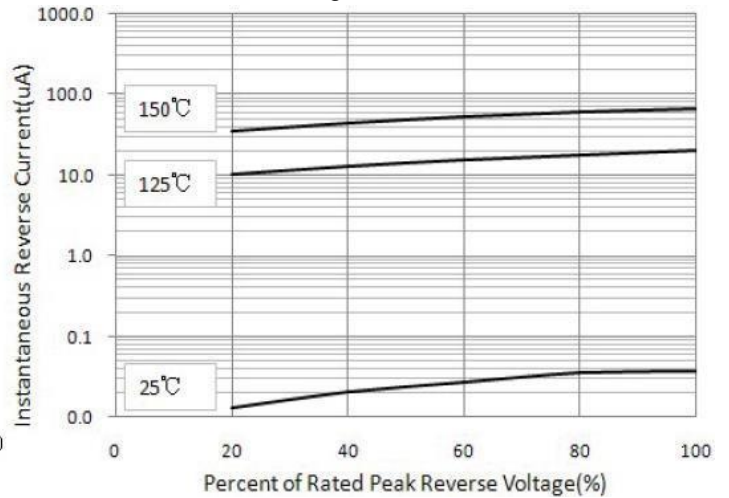
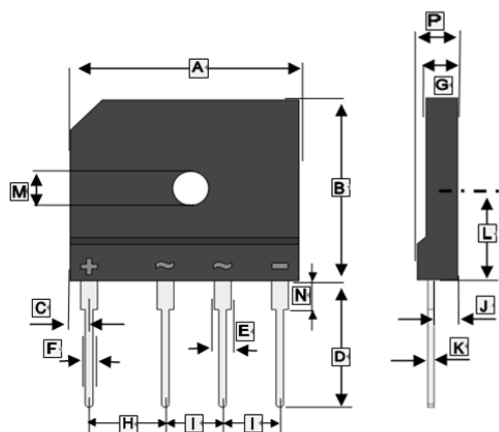


Fig.4-Typical Reak Reverse Voltage Characteristics



PACKAGE OUTLINE DIMENSION

GBJ



REF.	Millimeter	
	Min.	Max.
A	29.7	30.3
B	19.7	20.3
C	2.3	2.7
D	17	18
E	2.0	2.4
F	0.9	1.1
G	3.4	3.8
H	9.8	10.2
I	7.3	7.7
J	2.5	2.9
K	0.6	0.8
L	10.8	11.2
M	$\varnothing 3.3$	$\varnothing 3.7$
N	3.8	4.2
P	4.4	4.8