

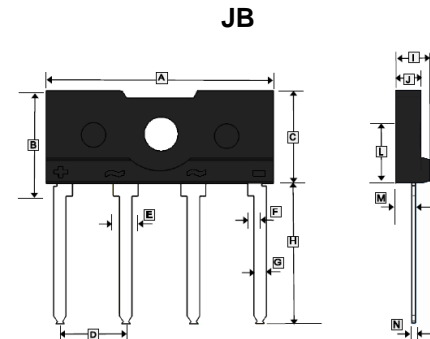
RoHS Compliant Product
A suffix of "-C" specifies halogen & lead-free

FEATURES

- I_o : 10A
- V_{RRM} : 50~1000V
- Glass passivated chip
- High surge forward current capability

APPLICATIONS

- General purpose 1 phase Bridge rectifier applications



REF.	Millimeter		REF.	Millimeter	
	Min.	Max.		Min.	Max.
A	24.7	25.3	H	14.6	15.2
B	11.4	12.0	I	3.9	4.5
C	10.0	10.6	J	2.9	3.9
D	7.3	7.7	K	3.1	3.4
E	1.2	1.4	L	5.4	6.0
F	1.35	1.55	M	2.0	2.6
G	0.9	1.1	N	0.4	0.6

MAXIMUM RATINGS AND ELECTRICAL CHARACTERISTICS

(Rating 25°C ambient temperature unless otherwise specified. Single phase half wave, 60Hz, resistive or inductive load.
For capacitive load, de-rate current by 20%.)

Parameter	Symbol	Part Number							Unit
		D10 JB05	D10 JB10	D10 JB20	D10 JB40	D10 JB60	D10 JB80	D10 JB100	
Maximum Recurrent Peak Reverse Voltage	V_{RRM}	50	100	200	400	600	800	1000	V
Average Rectified Output Current @ 60Hz sine wave, R-load	With heatsink $T_C=95^\circ\text{C}$	10							A
	Without heatsink $T_A=25^\circ\text{C}$	3.2							
Non-repetitive Surge Forward Current @ 60Hz sine wave, 1 cycle, $T_J=25^\circ\text{C}$	I_{FSM}	150							A
Current Squared Time ¹	I^2t	93							A ² S
Dielectric Strength@ Terminals to case, AC 1 minute	V_{DIS}	2							KV
Mounting Torque@ Recommend torque: 5kg · cm	Tor	8							kg · cm
Peak Forward Voltage @ $I_{FM}=5\text{A}$, pulse measurement, rating of per diode	V_{FM}	1.1							V
Peak Reverse Current @ $V_{RM}=V_{RRM}$, Pulse measurement, Rating of per diode	I_{RRM}	10							μA
Thermal Resistance from Junction to Ambient@ without heatsink	$R_{\theta JA}$	28							$^\circ\text{C} / \text{W}$
Thermal Resistance from Junction to Case@ with heatsink	$R_{\theta JC}$	2.8							$^\circ\text{C} / \text{W}$
Junction and Storage Temperature Range	T_J, T_{STG}	150, -55~+150							$^\circ\text{C}$

Notes :

1. $1\text{ms} \leq t < 8.3\text{ms}$, $T_J=25^\circ\text{C}$, rating of per diode.

RATINGS AND CHARACTERISTIC CURVES

FIG1: I_o - T_c Curve

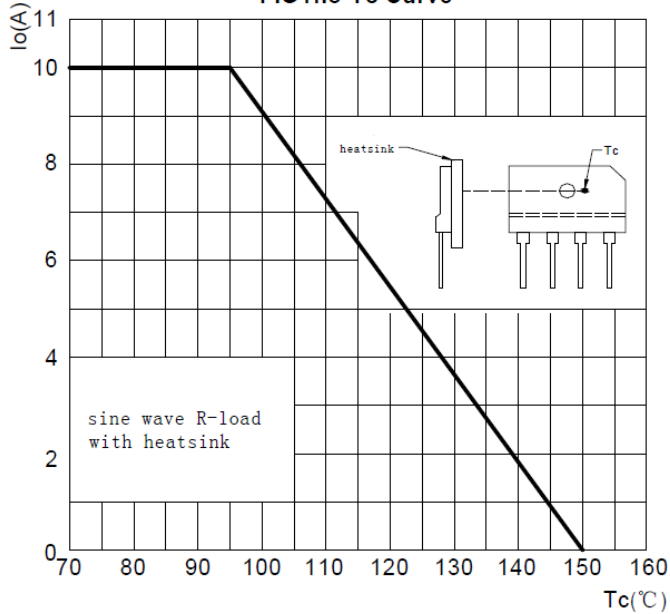


FIG2: Surge Forward Current Capability

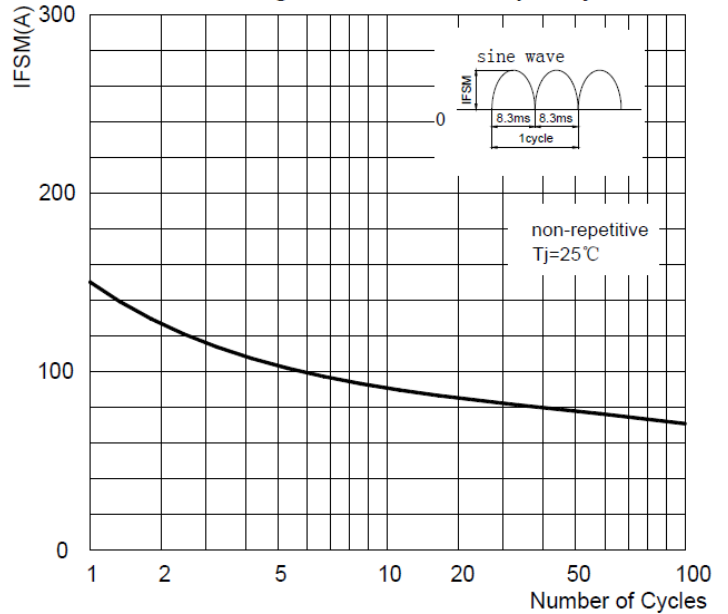


FIG3: Forward Voltage

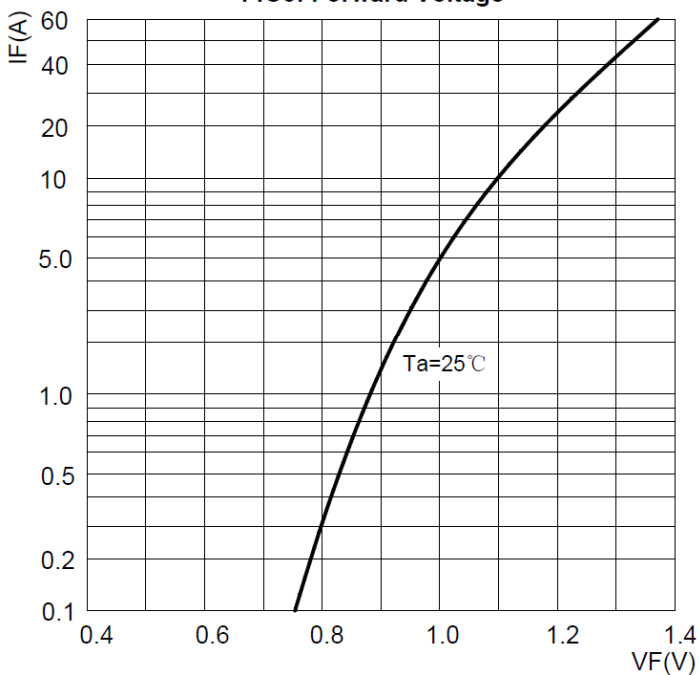


FIG4: Typical Reverse Characteristics

